



Rhino Rack 2500 Series - DK105

Aero / Euro bar: Cut **Measurement Strip** to length for Front & Rear bar as shown in table below.
Heavy Duty bar: Set legs to **Distance 'X'** for Front & Rear bar as shown in table below.
IMPORTANT: These lengths determine **CORRECT DISTANCE BETWEEN THE LEGS.**

Table Abbreviations: **OSR** (Off Side Rear) **Drivers Side Rear.**
OSF (Off Side Front) **Drivers Side Front.**
NSR (Near Side Rear) **Passenger Side Rear.**
NSF (Near Side Front) **Passenger Side Front.**

FRONT Cross Bar

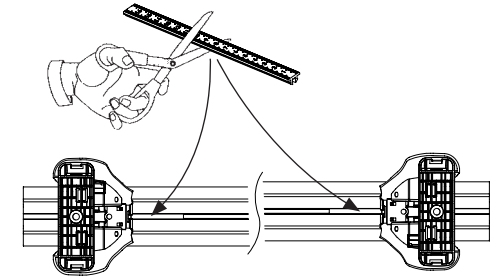
VEHICLE	Build Date	FRONT BAR	Pad OSF	Pad NSF	Clamp OSF	Clamp NSF	Foot Plate Arrow Dir.	Measurement Strip length	HD bar Dist. 'X'
Toyota Camry Wagon	05/98 - 08/02	1180mm	M367	M367	SUB0182	SUB0182	OUT	116mm	910mm

REAR Cross Bar

VEHICLE	Build Date	REAR BAR	Pad OSR	Pad NSR	Clamp OSR	Clamp NSR	Foot Plate Arrow Dir.	Aero/Euro bar Strip length	HD bar Dist. 'X'
Toyota Camry Wagon	05/98 - 08/02	1180mm	M365	M365	SUB0182	SUB0182	OUT	117mm	912mm

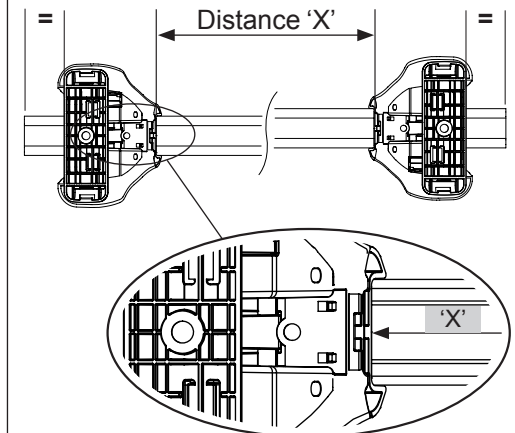
Aero / Euro bar

Bar measurement strips set correct distance between the legs.



Heavy Duty (HD) bar

NOTE: Distance between legs remains constant regardless of your new Heavy Duty cross bar length.



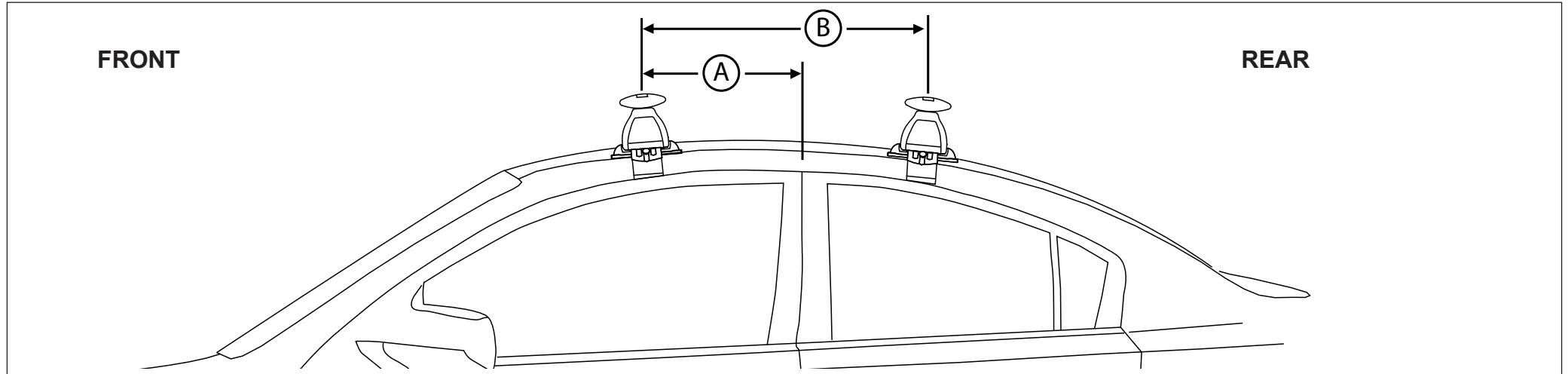


Rhino Rack 2500 Series - DK105

POSITIONING OF CROSS BARS ON THE ROOF

Measurement A: REAR edge of the Front door frame to the MIDDLE of the Front Cross bar.

Measurement B: MIDDLE of the Front Cross bar to the MIDDLE of the Rear Cross bar.



VEHICLE		Build Date	Dimension A	Dimension B	Weight Rating (includes racks)
Toyota Camry	WAGON	05/98 - 08/02	300mm	700mm	75kg